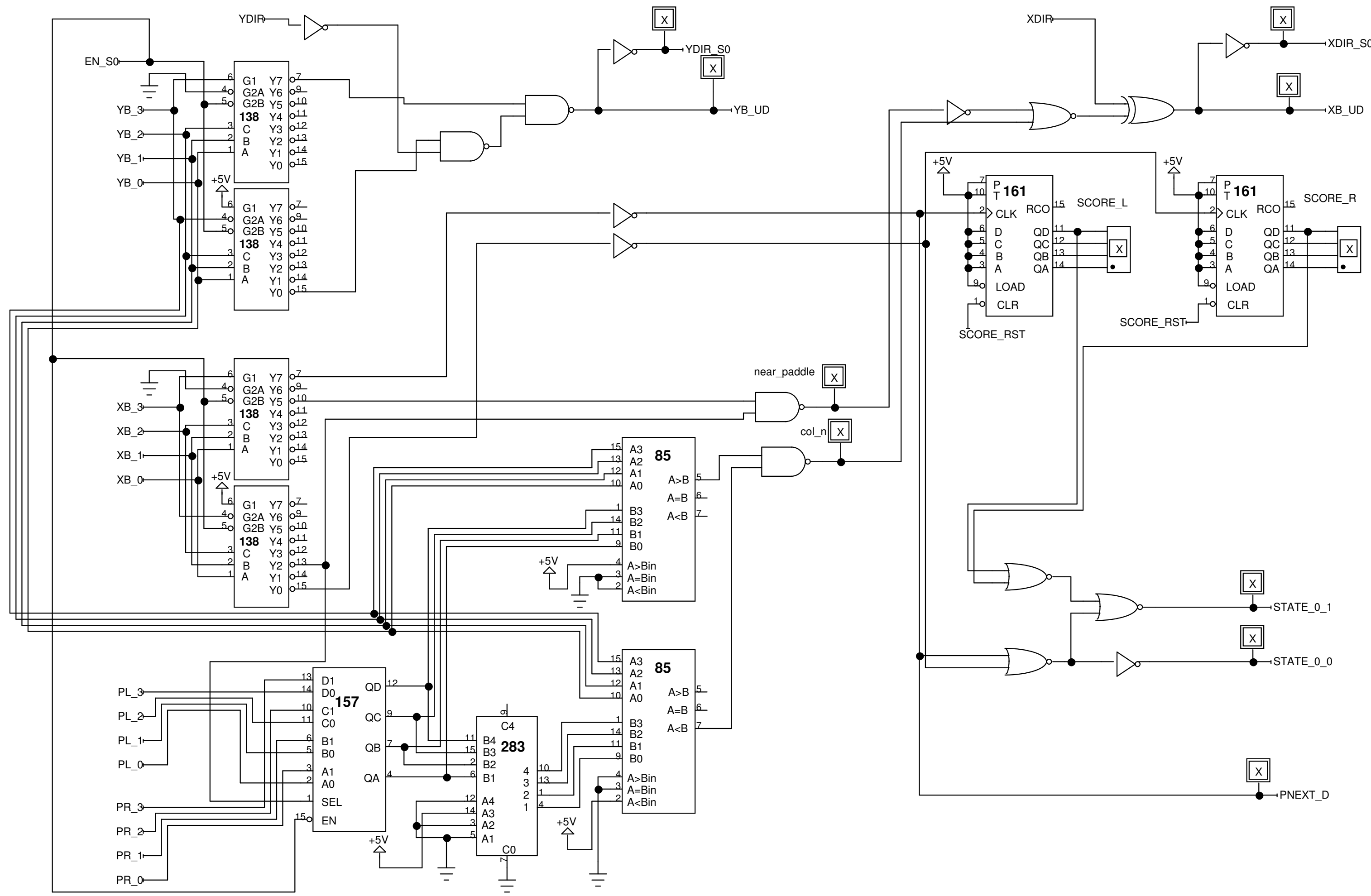


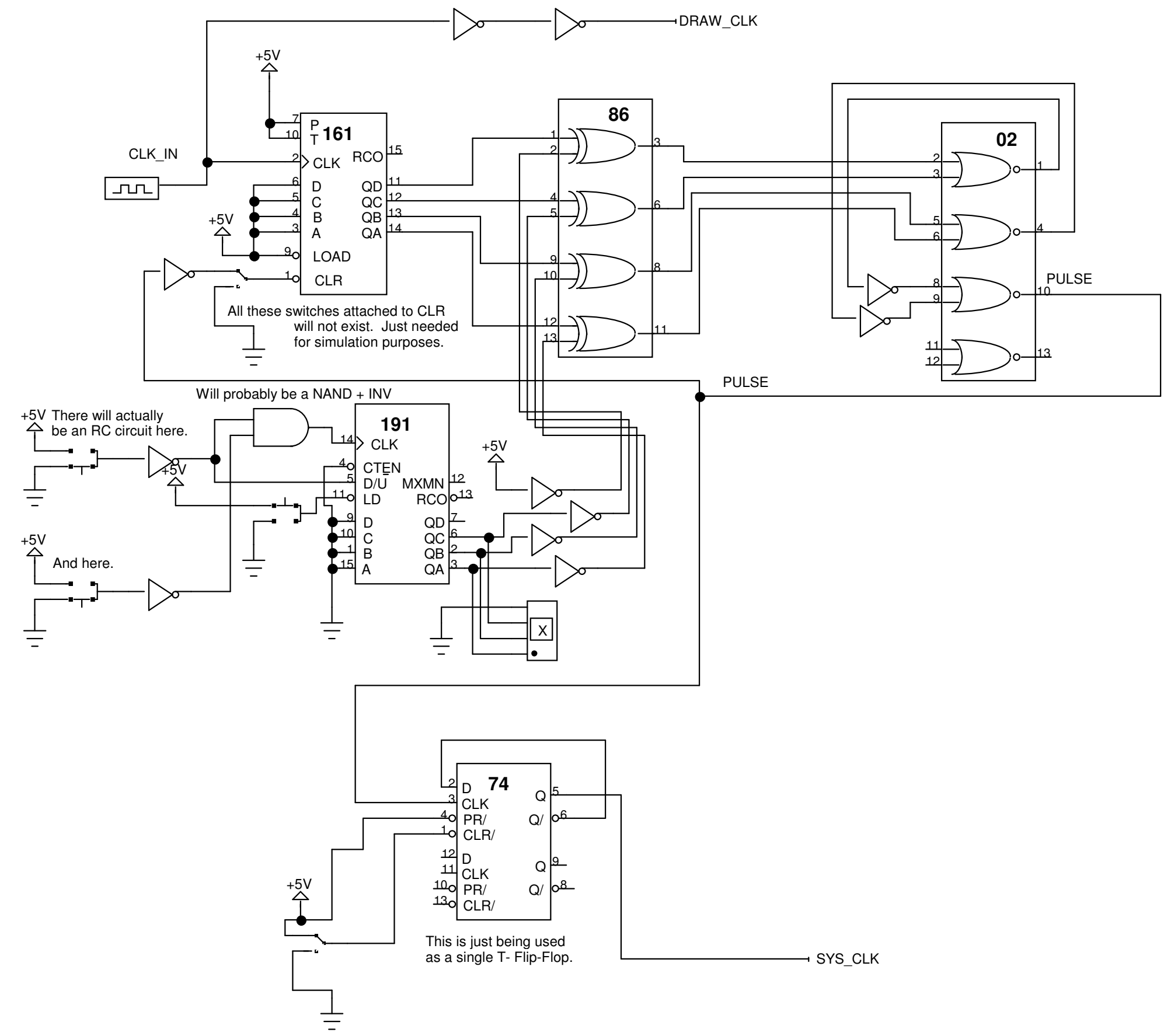
# Display

# State 0

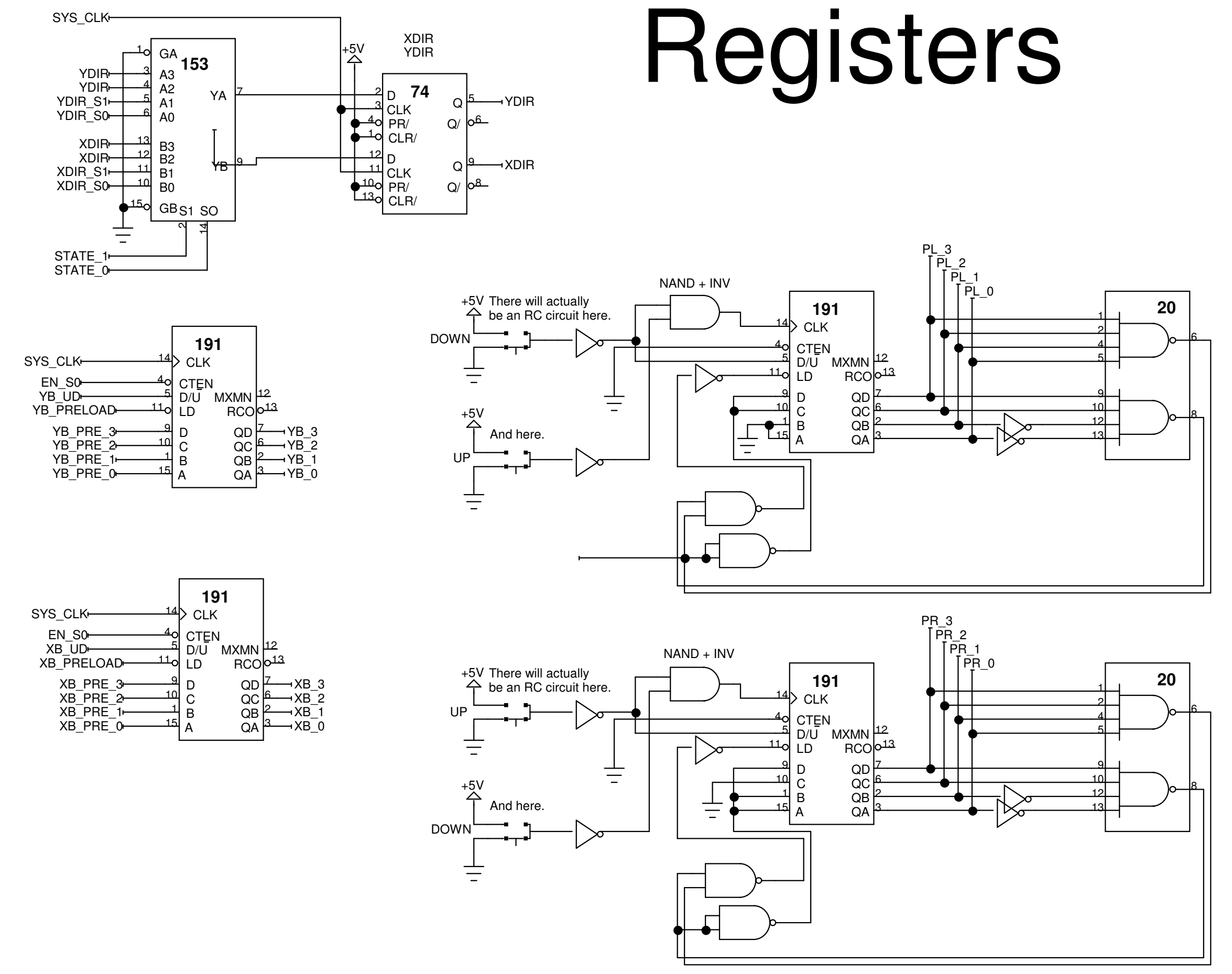


1  
2  
3  
4  
5  
6  
7  
8  
9  
10  
1

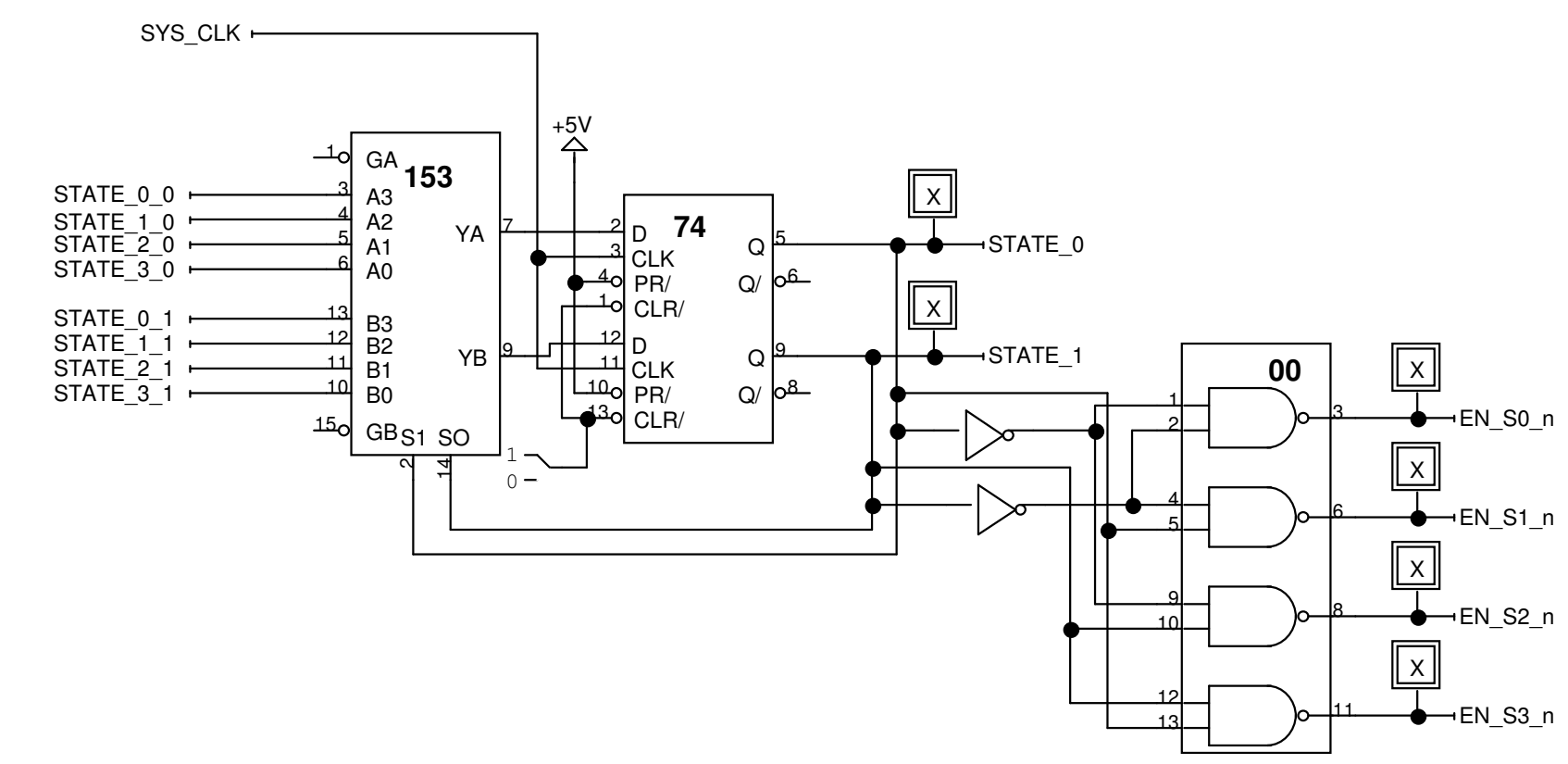
# Clock Generator



# Registers



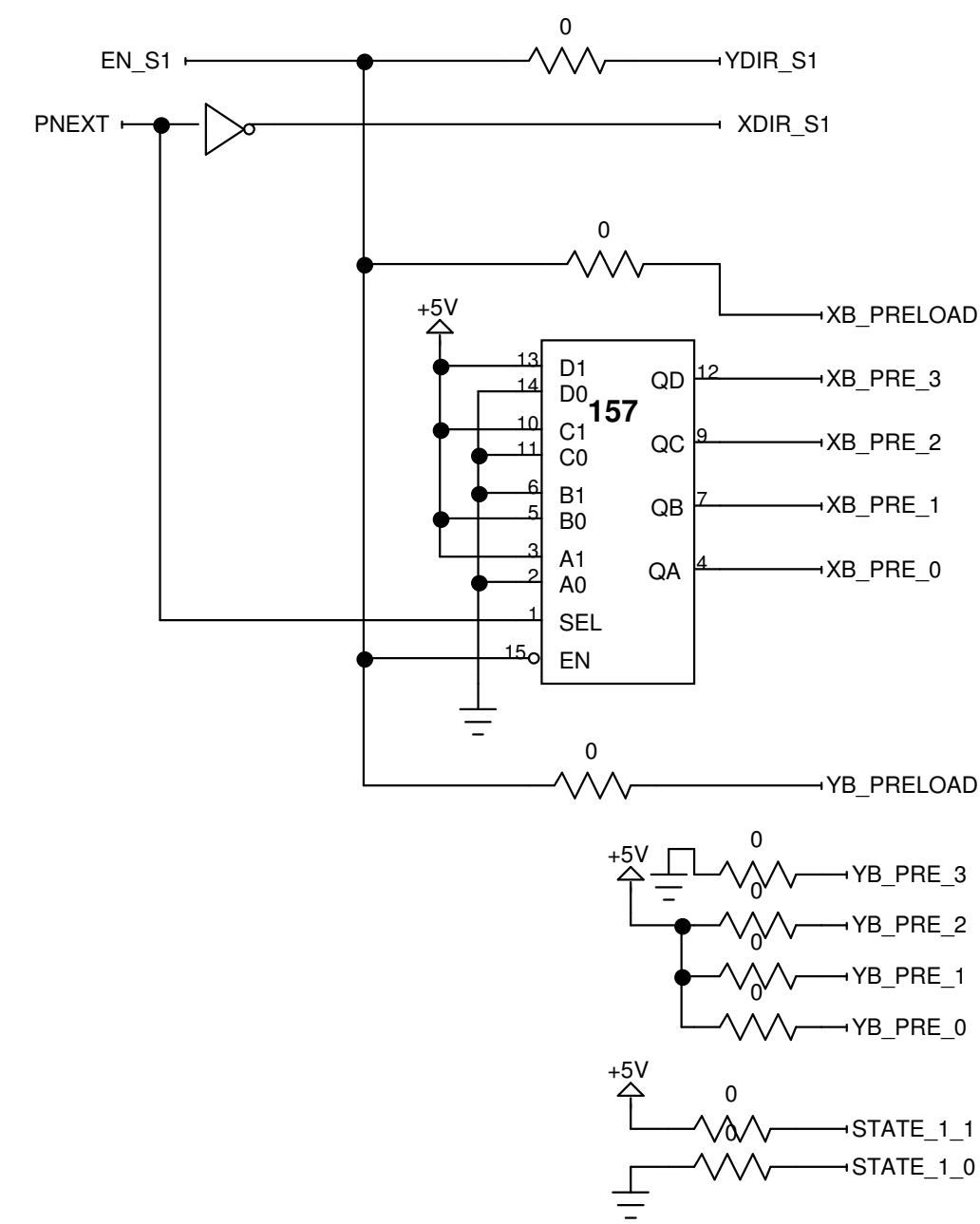
# State Registers



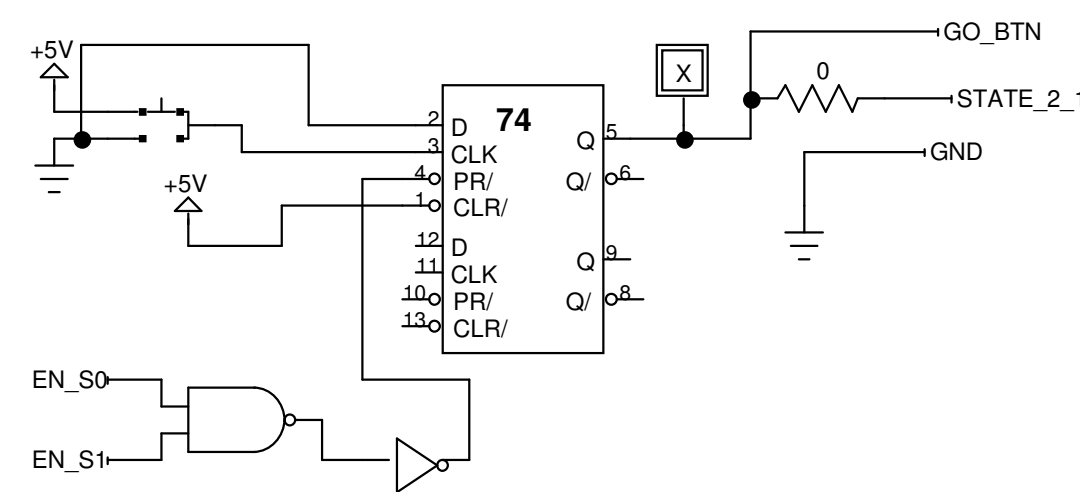
1 2  
1 3  
1 4  
1 5  
1 6  
1 7  
1 8  
1 9  
2 0  
2 1

A B C D E F G H I J K L M N O

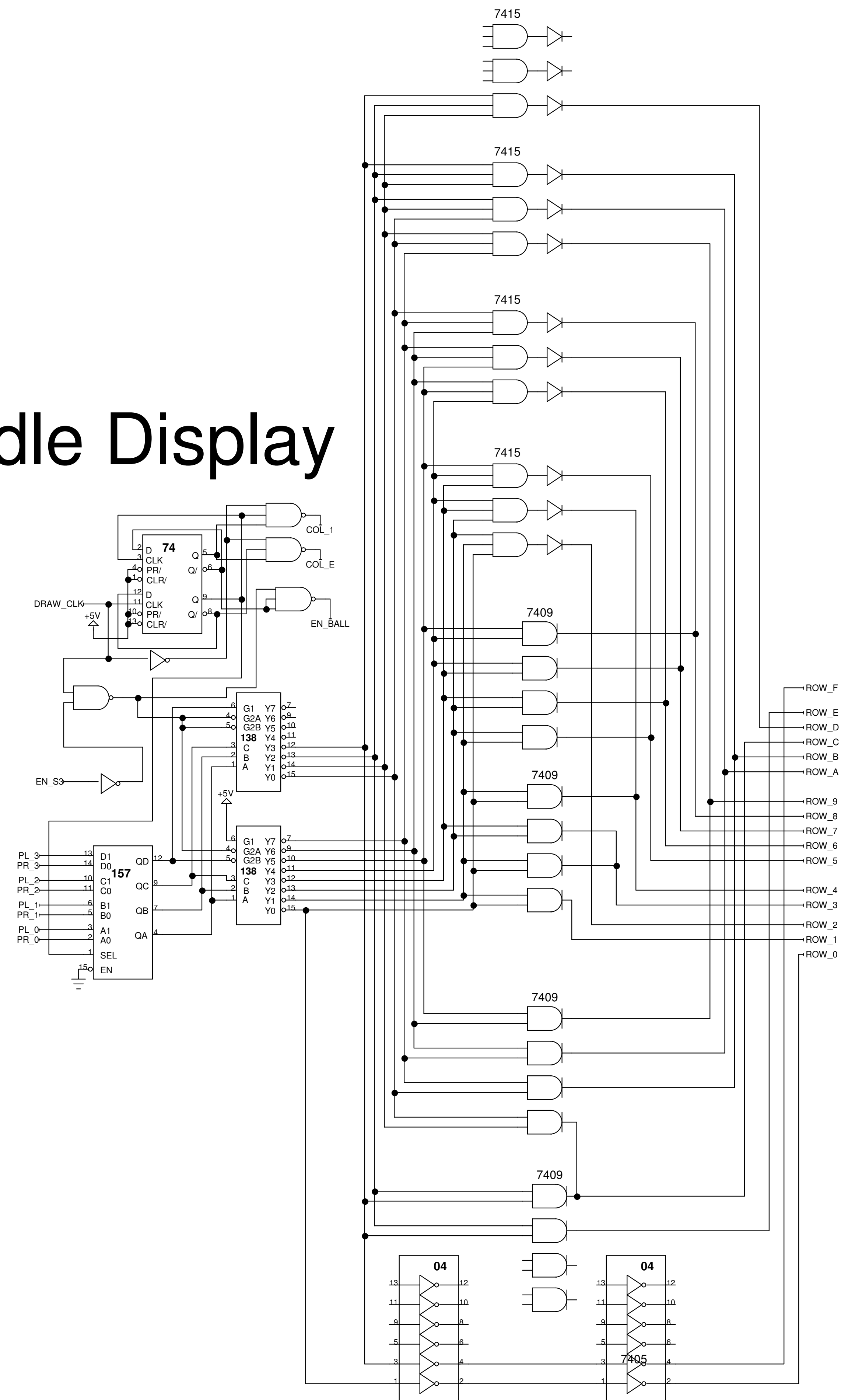
# State 1



# State 2



# Paddle Display



1 2  
1 3  
1 4  
1 5  
1 6  
1 7  
1 8  
1 9  
2 0  
2 1